

MLH7941 LTE Module Datasheet

(Band3/7/20/42/43)

Version	V1.00
Date	2016.9.1



深圳市简信通科技有限公司
Jaton Technology Co.,Ltd

Jaton Technology Limited. Provides customers with comprehensive technical support and service. Please feel free to contact our local office or company headquarters.

Jaton Technology Limited

Address:	Rm1505,Kuangu Building,68#,Langrong Rd,Shi'ao Village,Dalang Sub-district,New Longhua District,Shenzhen City China
Website:	http://www.jatontec.com
Support Tel:	0755-23765953
Support Fax:	0755-29108692
Support Email:	support@jatontec.com

Copyright © Jaton Technology Limited. 2011-2014. All rights Reserved

No part of this document may be reproduced or transmitted in any form or by any means without prior written consent of Jaton Technology Limited.

Trademarks and Permissions



and other Jaton trademarks are trademarks of Jaton Technology Limited. All other trademarks and trade names mentioned in this document are the property of their respective holders.

Notes:

The information in this document is subject to change without notice. Every effort has been made in the preparation of this document to ensure accuracy of the contents, but all statements, information, and recommendations in this document do not constitute the warranty of any kind, express or implied.

INDEX

1 Overview	4
1.1 Overview.....	4
1.2 MLH7941 LTE Module Appearance.....	4
1.3 MLH7941 LTE Module Function.....	4
1.4 Acronym.....	6
2 Interfaces	7
2.1 Overview.....	7
2.2 General Mini PCI Express Interface.....	7
2.2.1 Interface Signals.....	7
2.2 Antenna Interface.....	9
2.3.1 Antenna Interface Connector.....	9
2.3.2 Typical RF Performance Characteristics.....	11
3 Interface Electrical Characteristics	12
3.1 Overview.....	12
3.2 Absolute Maximum Ratings.....	12
3.3 Temperature.....	13
3.4 Digital Signal DC Characteristics.....	13
3.5 Power Supply and Consumption.....	13
3.5.1 Input Power Supply.....	13
3.5.2 Power Consumption.....	14
3.5.3 Boot Procedure.....	14
3.6 Reliability.....	15
3.7 ESD Features.....	16
3.7.1 Overview.....	16
3.7.2 ESD Protection of USIM Card Interface.....	16
4 Interface Applications	17
4.1 Overview.....	17
4.2 USIM Card Interface.....	17
4.3 Power Interface.....	19
4.4 USB Signals.....	19
4.5 Status Indication Signals.....	19
4.6 RESET Interface.....	20
4.7 MII Interface.....	20
4.8 Recovery Manufacture Configuration.....	21
5 Mechanical Specifications	22
5.1 Overview.....	22
5.2 MLH7941 Overall Dimensions.....	22
5.3 Mini PCI Express Overall Dimensions.....	24

1 Overview

1.1 Overview

This chapter has outlined this MLH7941 LTE module, including:

- MLH7941 LTE module appearance
- MLH7941 LTE module function
- Acronym

1.2 MLH7941 LTE Module Appearance

MLH7941 LTE module has a small and simple profile, as shown in Figure 1-1



Figure 1-1 MLH7941 LTE module appearance

1.3 MLH7941 LTE Module Function

The functions and characteristics of MLH7941 LTE module are shown as follows:

- Comply to 3 GPP Release10 CAT4;
- Support Band3, Band7, Band20, Band42 and Band43;
- Support channel bandwidth of 5M/10M/15M/20M;
- Support eMBMS;
- Provide general Mini PCI Express interface, interface signals include:
 - Power supply
 - 1 USIM card signal (Support 3.0v or 1.8v)

- 1 high speed USB2.0 interface
- Indicator signals, etc.
- Provide main and auxiliary antenna interfaces;
- Support standard AT instruction set;
- Meet ROHS environmental requirements;

Table 1-1 MLH7941 LTE module key features

Feature	Description
Working Frequency Band	Band3 : 1710~1785MHz /1805~1880 MHz Band7 : 2500~2570MHz/2620~2690 MHz Band20: 832~ 862MHz/ 791~ 821MHz Band42: 3400-3600MHz Band43: 3600-3800MHz
Maximum Transmit Power	23±2dBm
Operating Temperature	Operating Temperature: -20°C ~ +65°C
	Operating Temperature(Reduce RF performance):-30°C ~ +70°C
	Storage Temperature: -40°C ~ +85°C
Power Voltage	3.15V ~ 4.2V (Recommend 3.3V)
Consumption (Current)	Band3/7/20: 750mA Band42/43:520mA (Ratio 1:2)
AT Instruction	Support standard AT instruction set
Mini PCI Express Connector	Power and Ground
	1 USIM card signal (Support 3.0v or 1.8v)
	1 high speed USB2.0 interface
	MII interface
	Indicator signals
External Interface	main and auxiliary antenna interfaces
	General Mini PCI Express interface
Supplementary Service	eMBMS
RoHS Environmental Requirement	Support

1.4 Acronym

Acronym	Full Name
EMC	Electromagnetic Compatibility
ESD	Electrostatic Discharge
FFF	Firmware From Flash
FFH	Firmware From Host
IEC	International Electro technical Commission
IMEI	International Mobile Equipment Identity
I/O	Input/output
ISO	International Standards Organization
ITU	International Telecommunications Union
kbps	kbits per second
LED	Light Emitting Diode
NTC	Negative Temperature Coefficient
PCS	Personal Cellular System
PCI	Peripheral Component Interconnect
PDU	Packet Data Unit
PPP	Point-to-point protocol
PS	Packet Switched
QPSK	Quadrature Phase Shift Keying
TCP/IP	Transmission Control Protocol/ Internet Protocol
UART	Universal asynchronous receiver-transmitter
UIM	User Identified Module
USB	Universal Serial Bus

Figure1-2: Acronym summary

2 Interfaces

2.1 Overview

This chapter mainly introduces the external interfaces of MLH7941 LTE module, including:

- General Mini PCI Express Interface
- Antenna Interface

2.2 General Mini PCI Express Interface

2.2.1 Interface Signals

Table 2-1 lists the connector pins of MLH7941.

Table 2-1 Definition of interface pins

Pin No.	Pin Description	Direction to module	Comment
1	GPIO 41	I	
2	VCC3V3	P	
3	UART_TXD	O	UART transmit
4	GND	P	
5	UART_RXD	I	UART receive
6	GPIO 42	I	
7	FACT_RST#	I	Factory reset
8	VSIM	P	USIM card power output
9	GND	P	
10	UIM_DATA	I/O	USIM card data signal
11	RGMII_TXD3	O	
12	UIM_CLK	O	USIM card clock signal
13	RGMII_TXD1	O	
14	UIM_RESET	O	USIM card reset signal
15	GND	P	
16	GPIO 39	I	
17	RGMII_TXD0	O	

18	GND	P	
19	RGMII_TXEN	O	
20	GPIO 38	I	
21	GND	P	
22	PERST#	I	Module reset signal
23	RGMII_TXD2	O	
24	VCC3V3	P	
25	RGMII_GTXCLK	O	
26	GND	P	
27	GND	P	
28	RGMII_MDC	O	
29	GND	P	
30	RGMII_RXD0	I	
31	RGMII_RXCLK	I	
32	RGMII_RXD2	I	
33	RGMII_RXD1	I	
34	GND	P	
35	GND	P	
36	USB_DM	I/O	USB negative signal
37	GND	P	
38	USB_DP	I/O	USB positive signal
39	VCC3V3	P	
40	GND	P	
41	VCC3V3	P	
42	LED	O	Indicator signal(note 2)
43	GND	P	
44	LED	O	Indicator signal(note 2)
45	MII_RXDV	I	
46	LED	O	Indicator signal(note 2)
47	RGMII_RXD3	I	
48	RGMII_MDIO	I/O	
49	PHY_RESET#	O	
50	GND	P	
51	LED	O	Indicator signal(note 2)
52	VCC3V3	P	

Note 1: In table 2-1, direction to module; P: power supply pin; I: digital signal input pin; O: digital signal output pin; I/O : signal input/output

Note 2: Reserved GPIO, can be customized, such like LED indicator;

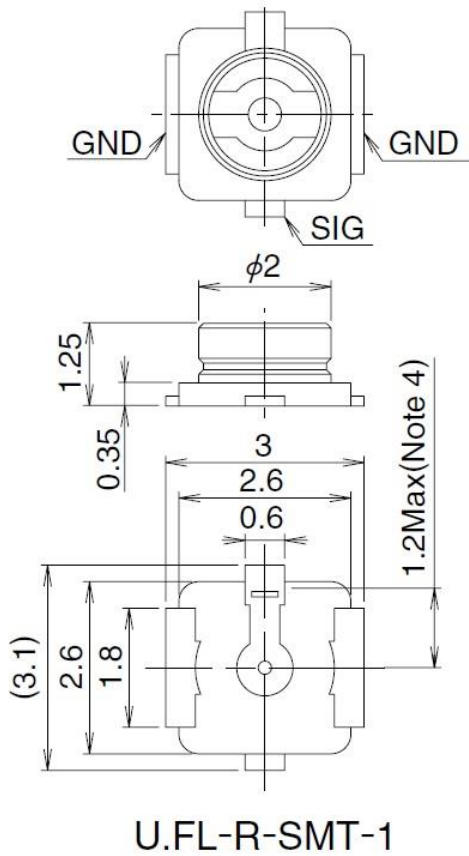
Note 3: For details about the description, functions and usage methods of each pin listed in

Table 2 - 1, please refer to the related chapters.

2.2 Antenna Interface

2.3.1 Antenna Interface Connector

There are two antenna interfaces in MLH7941 module respectively used for main and auxiliary antenna. U.FL- R-SMT-1 RF connector made by HRS Company is used for the main and auxiliary antenna interfaces in the module. The size of RF connector is shown in Figure 2-1.



◆ Recommended PCB Mounting Pattern

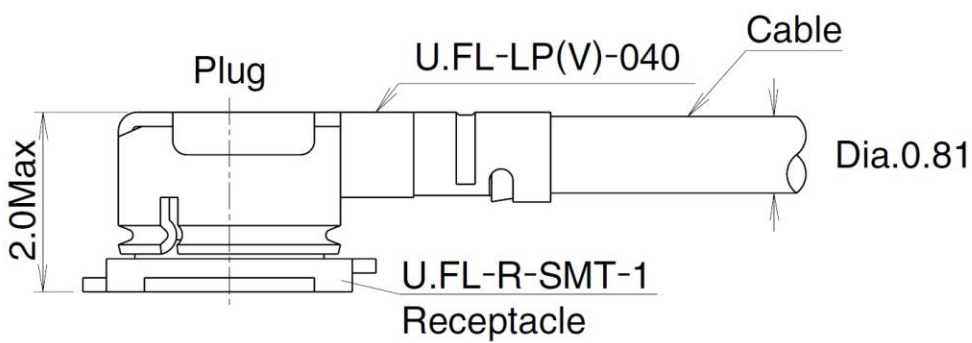
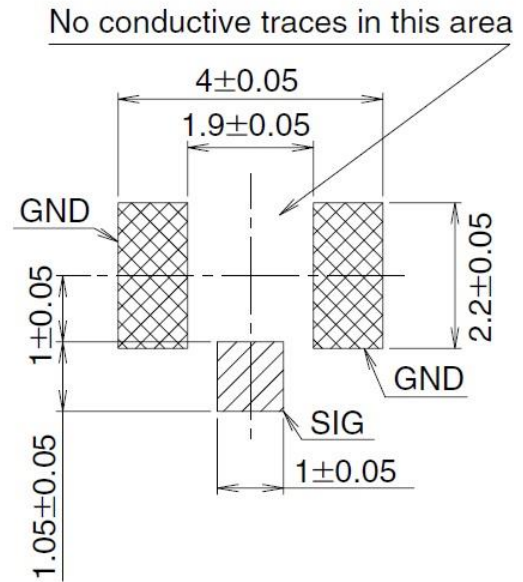


Figure 2-1RFconnector size

2.3.2 Typical RF Performance Characteristics

Typical RF performance Characteristics is shown in Table 2-2.

Table 2-2 Typical RF performance Characteristics

	Operating Band	Transmit Power (dBm)	Antenna Interface receiving sensitivity
LTE-FDD	Band3	23±2	< -93dBm @20MHz bandwidth
LTE-FDD	Band7	23±2	< -94dBm @20MHz bandwidth
LTE-FDD	Band20	23±2	< -92dBm @20MHz bandwidth
LTE-TDD	Band42	23±2	< -95dBm @20MHz bandwidth
LTE-TDD	Band43	23±2	< -95dBm @20MHz bandwidth

3 Interface Electrical Characteristics

3.1 Overview

This chapter introduces electrical characteristics of MLH7941 LTE module interfaces, including:

- Absolute Maximum Ratings
- Operating and storage temperatures
- module IO port level requirements
- Power supply features
- Reliability
- ESD



This chapter mainly describes external interfaces' electrical characteristics of MLH7941 LTE module.

3.2 Absolute Maximum Ratings

MLH7941 maximum ratings of LTE module is shown in table 3-1.

Table 3-1 MLH7941 LTE module absolute maximum rating

Parameter	Description	Minimum value	Maximum value	Unit
VCC_3V3	Module Input Voltage	-0.3	6.0	V
V _{IN}	IO Port Input Voltage	-0.3	3.6	V

Stresses above those listed under Absolute Maximum Ratings may cause permanent damage to the device. This is a stress rating only; functional operation of the device at these or any other conditions above those indicated in the operational section of this specification is not implied. Exposure to absolute maximum rating conditions for extended periods may affect device reliability.

3.3 Temperature

Table 3-2 Operating and storage temperature

Parameter	Description	Minimum	Maximum	Unit
To	operating temperature	-20	65	°C
Ta	Operating temperature (Reduce RF performance)	-30	70	°C
Ts	Module storage temperature	-40	85	°C
	Relative storage humidity	5%	95%	

3.4 Digital Signal DC Characteristics

MLH7941 recommends the application condition as following table.

Wherein, $V_{DD_IO}=3.0V$.

Table 3-3 MLH7941 recommended application condition

Parameter	Description	Minimum Value	Maximum Value	Unit
V _{IH}	High-level input voltage	2	3.6	V
V _{IL}	Low-level input voltage	-0.3	0.8	V
V _{OH}	high-level output voltage	2.4	V _{DD_IO}	V
V _{OL}	low-level output voltage	0	0.4	V

3.5 Power Supply and Consumption

3.5.1 Input Power Supply

For the MLH7941, the input voltage range is 3.15~4.2 V, which is supplied from the Module connector.

Table 3-4 Power specifications

Parameter	Description	Minimum value	Maximum value	Unit
-----------	-------------	---------------	---------------	------

VCC_3V3	3.15	3.3	4.2	V
---------	------	-----	-----	---

3.5.2 Power Consumption

The power consumption of MLH7941 is shown as table 3-5.

Table 3-5DC power consumption (Note 4)

Parameter Description	Min	Type	Max	Unit
Band3/7/20		750		mA
Band42/43		520		mA

Note 4: Unless specified otherwise, the data in the table are obtained in the following test conditions: VCC_3V3=3.3VDC, T=25°C

3.5.3 Boot Procedure

MLH7941 LTE module is booted by loading power VCC_3V3;

3.6 Reliability

A part of mechanical reliability test conditions and the results of MLH7941 LTE module are shown in table 3-6 below:

Table 3-6 Reliability characteristics

Item	Test Condition	Standard
Sinusoidal vibration	Frequency range:5-20Hz; PSD:1.0m ² /s ³ Frequency Range:20-200Hz, -3dB/oct Three axes, each of the axial for 1 hour	IEC 68-2-6
Shock test	Half sine ware shock acceleration: 20g Shock time: 11ms Six axes, one shock for each axial ($\pm x$, y and z)	TIA/EIA 603 3.3.5 GB/T15844.2 4.1
Temperature shock	Low temperature: -40°C \pm 2°C High temperature: +85°C \pm 2°C Changeover time: less than 30 seconds Test duration: 1 hour Repetition times: 100	IEC 68-2-14 Na ETS 300019-2-7
Damp heat cycling	High temperature: 55°C \pm 2°C Low temperature:+25°C \pm 2°C Humidity: 95% Repetition times: 4 Test duration: 12h+12h	IEC 68-2-30 Db
Low-temperature working	Temperature: -30 \pm 2°C Test duration: 48h	IEC 68-2-1Ab
High-temperature working	Temperature: +70 \pm 2°C Test duration: 48h	IEC 68-2-2Bb
Low-temperature storage	Temperature: -40 \pm 2°C Test duration: 24h	IEC 68-2-1Ab
High-temperature storage	Temperature: +85 \pm 2°C Test duration: 24h	IEC 68-2-2Bb

3.7 ESD Features

3.7.1 Overview

When the MLH7941 module is used, the ESD protection should be considered. The ESD performance of the MLH7941 module has been tested according to the EN61000-4-2 standard. The Table 3-7 lists the test results.

Table 3-7 ESD performance

SIM card interface	Air discharge: $\pm 8k$	V
	Contact discharge: $\pm 4k$	V

Notes:

The other ports of MLH7941 are not accessible to the user of the final product (since they are installed within the device) and therefore, are only protected according to the “Human Body Model” requirements.

The following sections describe the recommended circuit of the USIM card interface.

3.7.2 ESD Protection of USIM Card Interface

Figure 3-1 shows the recommended ESD-protection circuit of the USIM card interface on the MLH7941 module. The transient voltage suppressor (TVS) diode should be placed as close to the USIM card connector as possible.

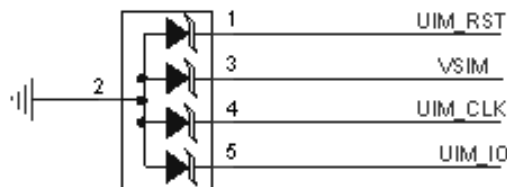


Figure 3-1 Recommended ESD protection circuit of the USIM card interface

4 Interface Applications

4.1 Overview

This chapter mainly describes each interface application of MLH7941 LTE module, including:

- USIM card interface
- Power interface
- USB bus
- LED status indication
- RESET interface

4.2 USIM Card Interface

The USIM is a smart card for UMTS/LTE cellular applications. The USIM provides the required subscription information to allow the mobile equipment to attach to a UMTS or LTE network. The USIM also provides the subscriber's verification procedures as well as authentication methods for network authentication during the attach procedures.

A class B (3.0 V) / class C (1.8 V) USIM card can be connected to MLH7941 module. The USIM card interface signals are shown in table 4-1.

Table 4-1 USIM pins

PIN	Name	Description	Direction to Module
8	VSIM	Power source for the external USIM	Output
10	UIM_DATA	External USIM data signal	Input/ Output
12	UIM_CLK	External USIM clock signal	Output
14	UIM_RESET	External USIM reset signal	Output

Notes:

It is recommended that the USIM card is inserted only after the power of the module is disconnected, otherwise the USIM card can be destroyed.

USIM interface schematic reference

There is no SIM card interface circuit in MLH7941, and users need to add the USIM interface circuit. Figure 4-1 shows the definition of interface signals and the typical USIM interface schematic.

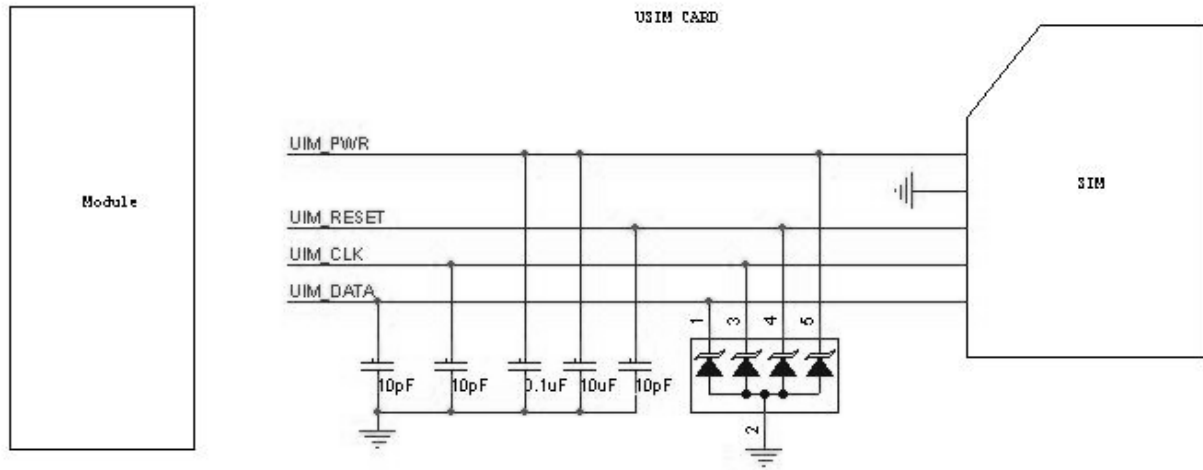
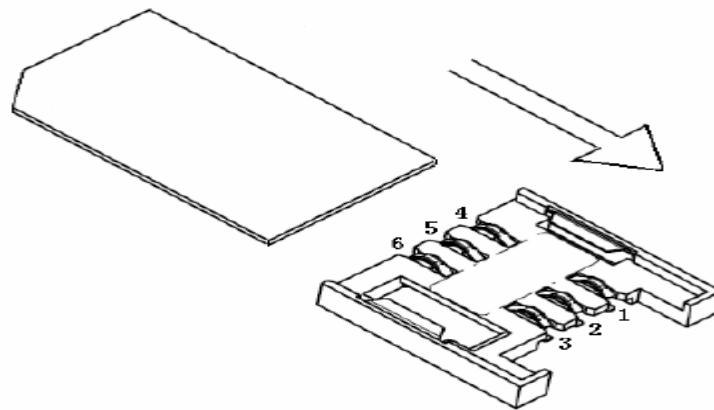


Figure 4-1 USIM interface circuit schematic on user side



- pin1: VREG_USIM
- pin2: USIM_RST
- pin3: USIM_CLK
- pin4: GND
- pin5: NULL
- pin6: USIM_IO

Figure 4-2 Pin definition of SIM Socket

Design guide

There is an EMI filtering and ESD protection circuit between SIM card interface and module interface on the user's board.

The SIM support clock frequencies of 3.25MHz. The SIM interface signals consist of four signals that are USIM_PWR, USIM_RST, USIM_CLK, and USIM_DATA (UIM_Vpp isn't connected also not used in many applications). Due to the relatively low clock frequencies involved, the concern is not the degradation of the SIM signals themselves. The main concern is routing of the SIM interface signals through areas considered to be of high risk for RF noise coupling (crosstalk and RF contamination) which can desensitize the radio circuitry.

- _ The general guidelines that should be followed are listed as follows:
- _ It is recommended that these signals should be routed over a contiguous ground plane.
- _ SIM interface signals should not be routed near high transient signals (power supply chokes and DC/DC switching FETs).
- _ Avoid routing of these signals near output connectors.
- _ Keep SIM interface signals isolated from other signals. 2x width spacing (1.5xmin) between SIM interface signals and all other signal routing is recommended.

Since the SIM is a CMOS device, ESD protection devices should be placed near to the SIM connector to provide protection before connecting to the module. In addition, all the SIM interface signals should be bypassed with a 10 pF capacitor.

4.3 Power Interface

Externally standard voltage from 3.15 V to 4.2 V (with the typical value of 3.3 V) is used as MLH7941 module power supply. When the network signal is very weak, the antenna emission with maximum power will happen, with 1A of transient maximum current. So it is recommended to use LDO with more than 1A or switching power supply.

Besides considering the voltage drop when high-power launching, a large capacitance should be added to the module power supply port.

Note: Because EMC interference for switching power supply is rather big, the circuit line should not be close to the antenna part.

4.4 USB Signals

MLH7941 is compliant with USB 2.0 high speed specification.

MLH7941 uses USB drive with VID of 0x2000 and PID of 0x258d. On the PC two ports can be mapped out, respectively:

1. 4G ACM port, carrying the AT command, it is mainly used for data traffic;
2. 4G ECM port, ECM standard card; Mainly for service information;

4.5 Status Indication Signals

There are four GPIO pins of MLH7941 module. The mode LED functions as the network mode indicator and the status LED function as the signal strength indicator. The LEDs are controlled by a sink current source. The high voltage is the voltage of VCC3V3 (with the typical

value of 3.3V). According to LED feature, you can adjust the LED brightness by adjusting the impedance of resistor R.

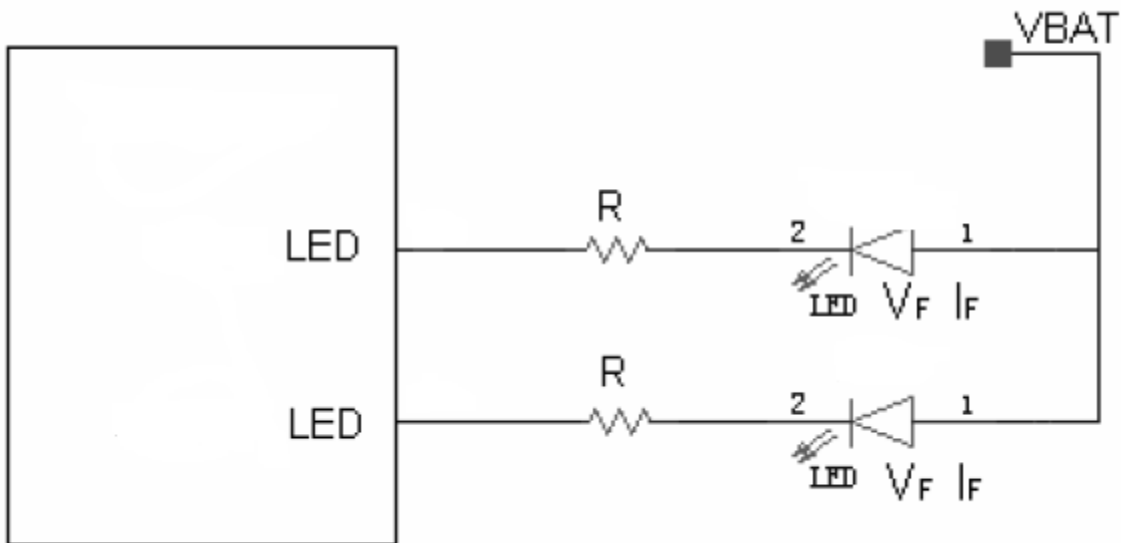


Figure 4-3 Recommended circuits of the LED pins

4.6 RESET Interface

A PERST_N pin provided by MLH7941 module can RESET module through an external RESET circuit. Pull low RESET button (RESIN_N pin) to 100 ms, the module will be reset.

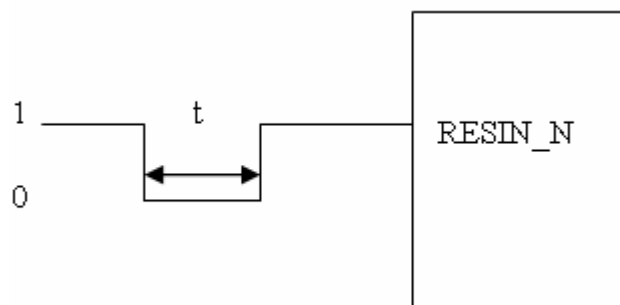


Figure 4-3: RESET interface

Note: $50 \text{ ms} < t < 200 \text{ ms}$. In addition, because the pin is rather sensitive to interference, it is important to pay attention to the module interface board line otherwise it may bring such as interference caused by module reset.

4.7 MII Interface

MI I is the standard interface for 10 Mbps or 100 Mbps Ethernet applications. The MII interface can be used in the case of a standalone Ethernet CPE, as well as server other applications such as interface with network processor, WiFi chip, or for connection to a PCI to MII bridge. The MII interface supports flow control. It can be configured in the following modes:

Ethernet: the packets are transferred in Ethernet format, either 802.3, DIX, or 801.1Q VLAN.

IP: IPv4 or IPv6.

Raw interface: packets are transferred with no specific encapsulation.

Figure 4-4 represents the typical connection diagram between MLH7941 and a MII PHY component.

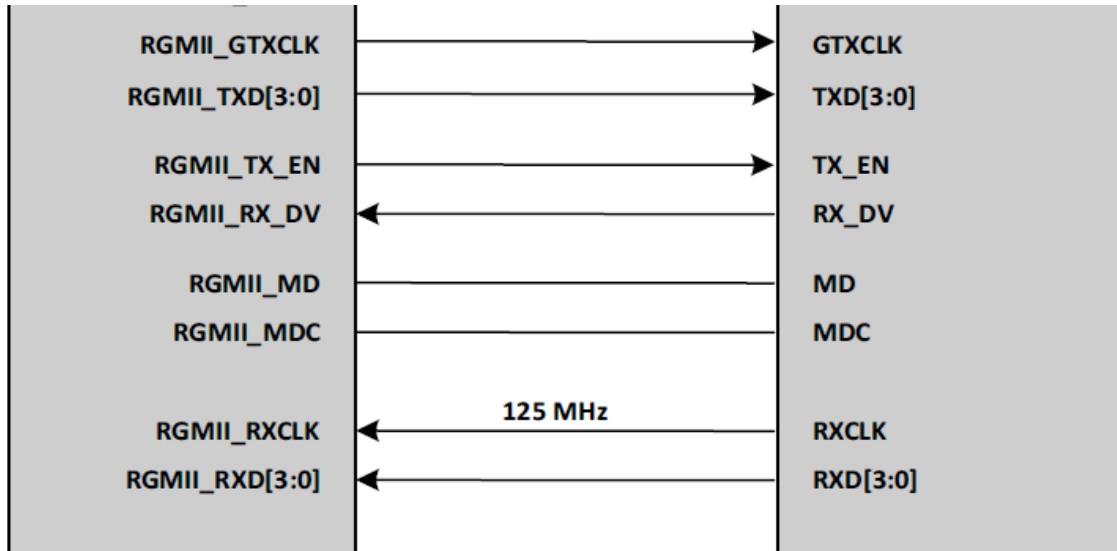


Figure 4-4: Module connection to MII PHY

4.8 Recovery Manufacture Configuration

A FACT_RST# pin provided by MLH7941 can recover manufacture configuration through pull low button to 10s.

5 Mechanical Specifications

5.1 Overview

This chapter mainly describes mechanical specifications of MLH7941 module, including:

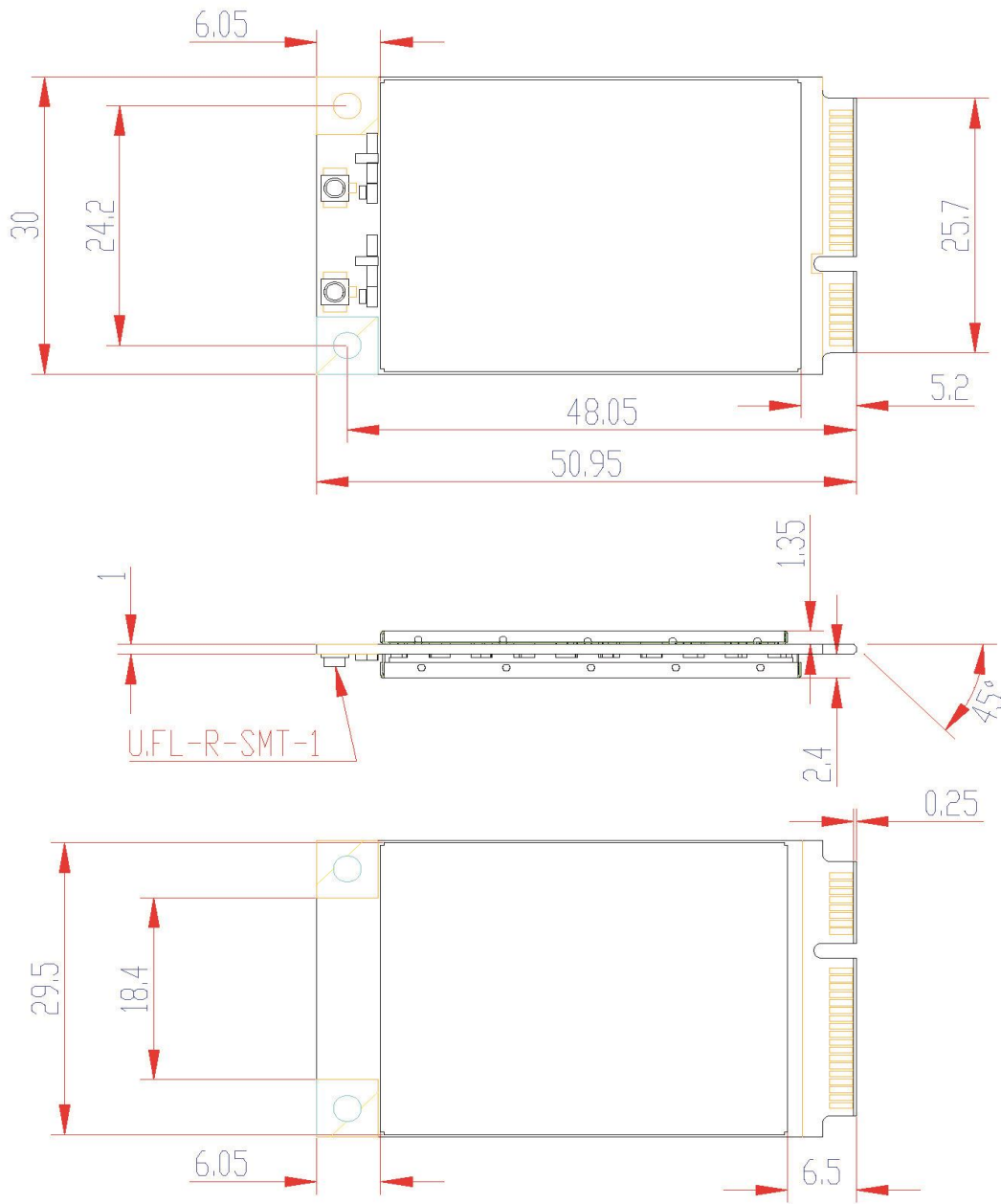
- MLH7941 overall dimensions
- Mini PCI Express overall dimensions

5.2 MLH7941 Overall Dimensions

Size: $30\pm 0.20 \times 50.95\pm 0.20 \times 4.75\pm 0.10$ mm

Weight: 12 ± 0.5 g

The overall dimensions are shown as Figure 5-1.



注释:

1. U.FL-R-SMT-1 建议搭配接头U.FL-LP(V)-040 配合高度2.0mm (max)

Figure 5-1MLH7941 LTE module overall dimensions (Unit: mm)

